

## Flat Stock (Strap)

### DESCRIPTION

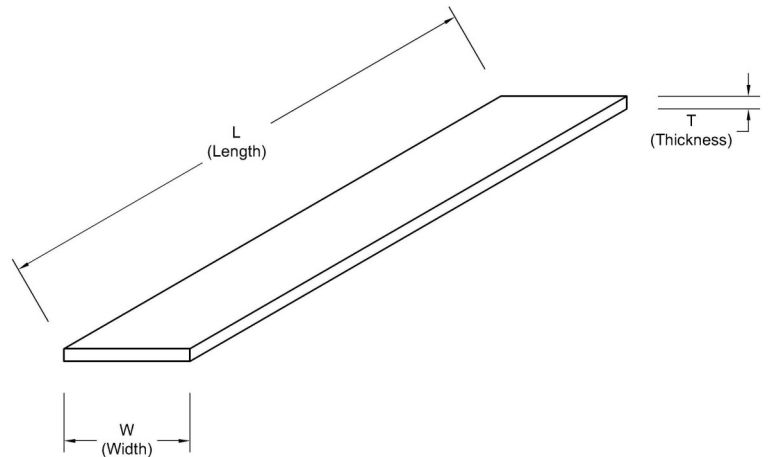
Flat Stock (Strap) are fabricated in many widths, from 1" to 48". Sections available in thick-nesses from 97 mil (12 gauge) to 18 mil (25 gauge). Standard lengths are 10' and 100'. Any length up to 100' may be manufactured.

### MATERIALS

Flat Stock (Strap) section is fabricated from hot dipped galvanized steel conforming to ASTM A653 or equal.

### COLOR CODE

Traditional	Elite
25 Gauge – Clear (No Paint)	25TI Gauge – Clear/White Stripe
24 Gauge – Orange	20TI Gauge – Clear/Red Stripe
22 Gauge – Black	30ED Gauge – Red and Blue
20D Gauge – Pink	33ES Gauge – Purple
20S Gauge – White	43ES Gauge – Brown
18 Gauge – Yellow	54ES Gauge – Light Blue
16 Gauge – Green	
14 Gauge – Orange	
12 Gauge – Red	
10 Gauge – Blue	



### ASTM & CODE STANDARDS

- IBC 2009/2012
  - AISI NASPEC 2007
  - Meets or exceeds:
    - ASTM C955 & ASTM C645
    - ASTM E119 & E90
    - ASTM A370
    - ASTM A1003
    - ASTM C1513 & C754
- Please reference Steeler ICC-ES Report ESR-2054 for further information. Available for download at [www.steeler.com/technicalinfo.php](http://www.steeler.com/technicalinfo.php)

### MANUFACTURER CONTACT INFORMATION

Seattle Plant | 10023 MLK Jr. Way S. Seattle, WA 98178 | P: 206-725-2500

Newark Plant | 6851 Smith Ave. Newark, CA 94560 | P: 510-505-9574

### STEELER LEED® INFORMATION

**LEED Credit MR 2:** Steeler framing products are manufactured from cold-formed steel (CFS). CFS is 100% recyclable and therefore contributes significantly to LEED Credit MR 2. The specific contribution amounts will vary depending on the project and construction decisions.

**LEED Credit MR 4:** Steeler framing products contain a minimum of 26% post-consumer and 7% pre-consumer recycled steel content for a minimum of 33% recyclable. Recycled content of materials contributes to LEED Credits MR 4. If notified in advance, Steeler can order steel containing higher percentages of recycled content to meet your specific project needs. Contact Steeler technical services prior to ordering so we can help support your project goals.

### Example Steeler Flat Stock Part #s

Steeler Flat Stock Part #	Description
200FS12-10	2" Flat Stock, 12 Gauge, 10'
600FS16-100	6" Flat Stock, 16 Gauge, 100'
1000FS20-10	10" Flat Stock, 20 Gauge, 10'
1800FS25-100	18" Flat Stock, 25 Gauge, 100'

For CAD & BIM Drawings, Architectural Specifications and more, find Steeler on:

