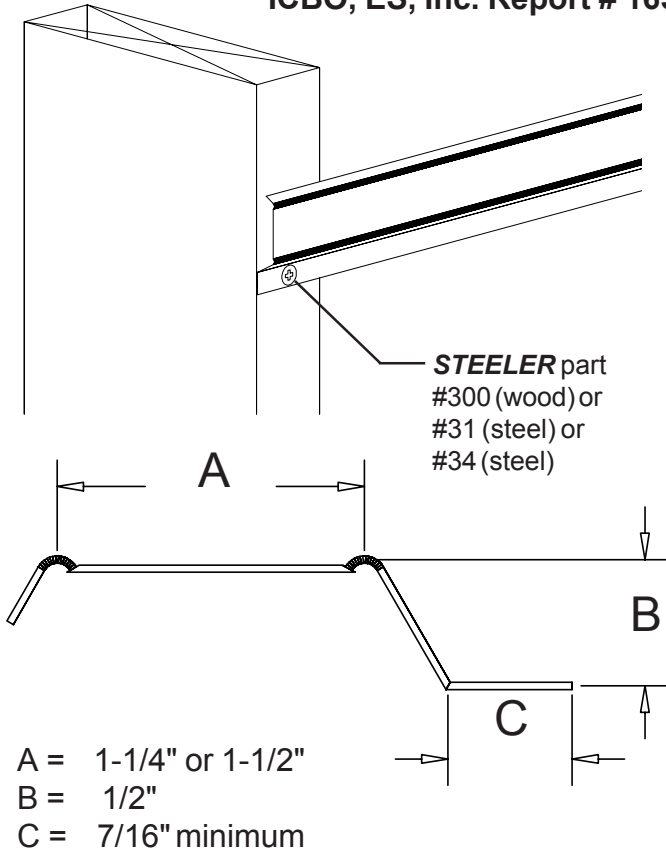




# 12 SRC (Resilient Channel)

## 1-800-275-2279

REF: Gypsum Association  
 ICBO, ES, Inc. Report # 1632



**STEELER INC.** is pleased to offer an excellent product for use in wall assemblies requiring higher S.T.C. ratings as stipulated by the Uniform Building Code. Our 12 SRC meets the minimum design dimensions (A,B&C) as shown on page 5 of the Gypsum Association's **ICBO No. 1632**.

When used in accordance with the Gypsum Association's Fire Resistance and Sound Control Design Manual, 12 SRC will meet their listed ratings. The developers of the 1991 Edition of the Uniform Building Code and the technical staff of the International Conference of Building Officials have recognized the S.T.C. and Fire Resistance Ratings of the "generic" systems as set forth in the Gypsum Association's Fire Resistance and Sound Control Design Manual.

### Materials

- Light gauge steel meeting the physical and galvanization requirements of A.S.T.M. A-653 or equal.
- Shape and Dimensions in accordance with Gypsum Association Fire Resistance and Sound Control Design Manual, page 20, as shown at left. Available flanges of 1-1/4" and Extra Wide 1-1/2".
- Length = 12' - 0"  
 Custom Lengths Available.
- Packaging = Bundles of 40  
 (480 feet per bundle)
- Available with hemming for 1-1/4" and hemming is required for 1-1/2".

### Installation

- Walls - 12 SRC is placed parallel to the floor with attaching flange down and attached with a 1-1/4" Type W (STEELER P/N 300) or for wood stud applications. When attaching to steel use a 1/2" Type A (STEELER P/N 31) or 1/2" Type SDS (STEELER P/N 34). Spacing over studs 16" o.c. is 24" maximum. Spacing over studs 24" o.c. is 16" maximum.
- Ceilings - 12 SRC is placed perpendicular to the joists and attached as stated above. Spacing under joists 16" o.c. is 24" maximum. Spacing under joists 24" o.c. is 16" maximum.
- Sheathing - Use screws (STEELER P/N 268) to secure 1/2" drywall and (STEELER P/N 368) to secure 5/8" drywall.

**Note:** Installation methods and components should be as listed in the Gypsum Association's Fire Resistance and Sound Control Design Manual.