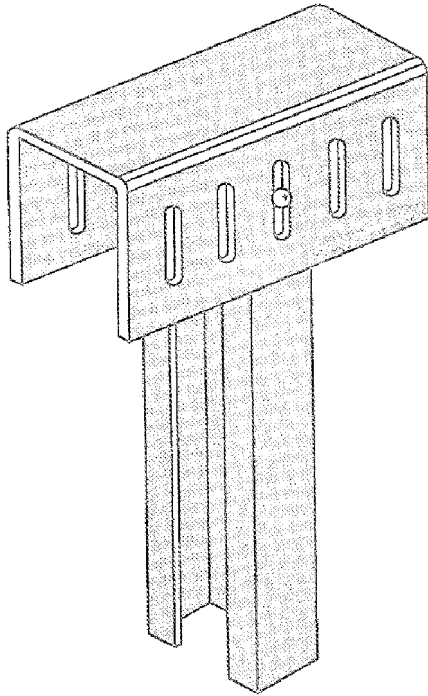


SLOTTED TRACK



U.L. Classified *XHLI.R21503*
 U.L. Classified for Canada *XHLI7.R21503*

STEELER, INC. Slotted Track has been cycle tested for 500 cycles in accordance with the 4th Edition of ANSI/UL 2079 (ASTM E1966) and is U.L. Classified for both the United States & Canada as Light Gauge Framing in various U.L. Head-Of-Wall Joint Systems.

Features

- a) U.L. Classified for U.S.A. & Canada.
- b) Simple & Cost Effective Head-Of-Wall Solution.
- c) 5/8" compression or extension deflection movement capability.
- d) Non-proprietary.

Materials

- a) Light gauge steel framing meeting the requirements of ASTM A653-02a or equal.
- b) Webs available in 2-1/2", 3 1/2", 3 5/8", 4", 6", 8", 10 and legs are 2 1/2" long with 1 1/2" slots every 1" on center.
- c) Available in gauges 21, 20, 18 and 16, and 14.
- d) Standard Lengths are 10'-0"
- e) Standard Steeler ICBO # 4389P Track with a 1-1/4" flange is used for the bottom track. Standard Steeler ICBO # 4389P Studs (2-1/2", 3-1/2", 3-5/8", 4", 6", 8" or 10" web) are to be used for stud framing.
- f) Steeler Screw Part # 34Z (#8 x 1/2") is used to bottom track to stud framing, Part # 41Z-34 (#10 x 3/4"), and/or Part # 44ZMAG (#10 x 3/4") to be used for securing the Steeler Slotted Track to the stud framing at the top of the wall.

Installation

- a) The Steeler Slotted Track shall be fastened to the steel decking per the appropriate UL® Head-Of-Wall System decided by the building engineer.

Engineering & Alternatives

- a) If you have greater requirements for a head-of-wall system, Steeler's engineer can help you design a Steeler system that will meet the requirements specified.
- b) Steeler's Slotted Stud (U.S. Patent No. 6,854,237) is a competitively priced alternative that allows for greater deflection and is U.L. Classified.