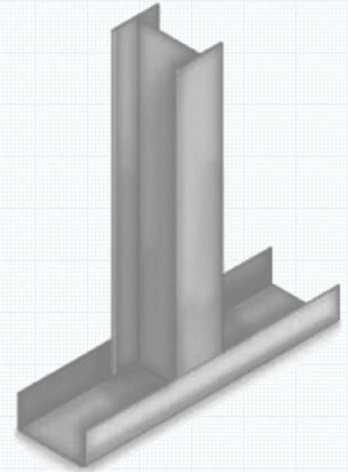


STEELER, INC. 2-HOUR I-STUD FIRE-RATED ASSEMBLY

Steeler, Inc. I-Studs are 2" wide vertical members used to secure two 1" thick pieces of gypsum shaft liner in Area Separation Wall assemblies. These are common in high-volume, multi-family buildings as a cost-effective way to contain the spread of fire.

I-Studs are inserted into C-Runners and slid over gypsum panel liner edges. The process is repeated until the desired wall length is achieved. Once the wall is plumb, it is secure at the floor, roof and truss line with aluminum breakaway clips.



Steeler I-Stud – 25GA

Design Thickness (in.)	Minimum Thickness (in.)
0.0188	0.0179

ASTM & Code Standards:

- * Steeler Area Separation products are produced to meet or exceed ASTM C645.
- * For generic assembly fire rating information, please refer to UL Design No. [U336](#), [U347](#), [U366](#), and [U373](#).
- * Galvanized sheet steel metal meets or exceeds requirements of ASTM A1003.

Product Material Thickness: I-Stud & C-Runner 18 mil (25ga) 0.0179 minimum thickness, 0.0188 design thickness. All material is produced with a coating of G40 (G60 available).

Web Size Offering: 1". **Flange Offering:** 2".

